

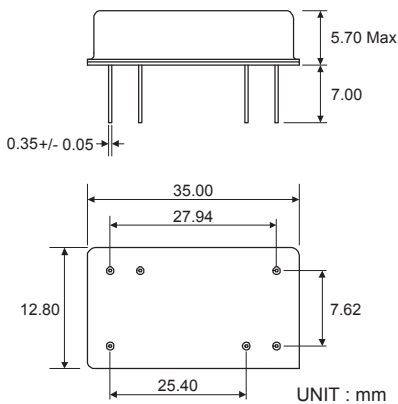


836.5 MHz Saw Delay Line
40.00 MHz Bandwidth

Part Number **F836D251**

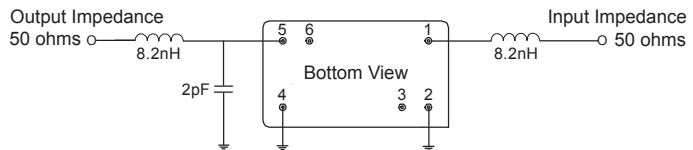
Parameter	Unit	Electrical Specifications		
		Minimum	Typical	Maximum
Center Frequency	MHz	833.5	836.5	839.5
Insertion Loss	dB	-	23.0	28.0
1dB Bandwidth	MHz	-	-	-
3dB Bandwidth	MHz	40.00	46.00	-
40dB Bandwidth	MHz	-	-	-
Amplitude Ripple	dB	-	0.80	1.00
Group Delay Variation	nsec	-	60	150
Absolute Delay	usec	4.80	5.04	5.20
Ultimate Rejection	dB	35	-	-
Ambient Temperature	°C	-	25	-
Temperature Variation	ppm/°C	-	-94	-
Operating Temperature	°C	-10	25	+60
Storage Temperature	°C	-25	25	+70

Package Outline



DIP 3512 Version of 6-Pin Dip Package

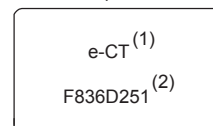
Matching Configuration



Pin No.	Connection
1	INPUT
5	OUTPUT
others	GND

Marking Configuration

Top View



Marking

- (1) Manufacture's Mark
- (2) Model Name