

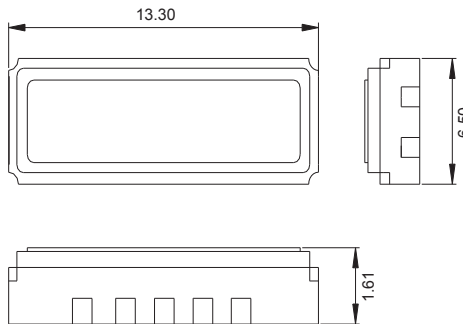


70 MHz Saw Delay Line
22.00 MHz Bandwidth

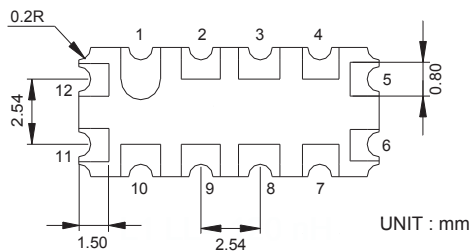
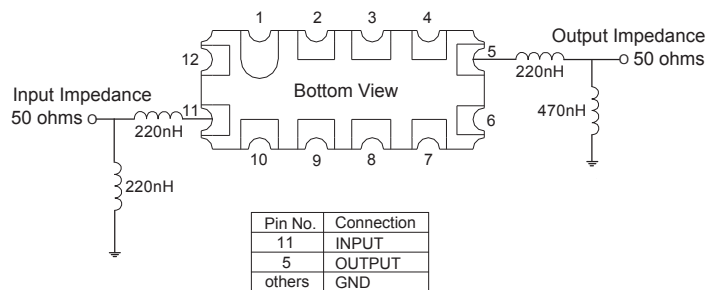
Part Number **F700D201**

Parameter	Unit	Electrical Specifications		
		Minimum	Typical	Maximum
Center Frequency	MHz	-	70.00	-
Insertion Loss	dB	-	15.0	17.0
1dB Bandwidth	MHz	22.00	23.10	-
3dB Bandwidth	MHz	-	-	-
40dB Bandwidth	MHz	-	33.00	40.00
Amplitude Ripple(±10M)	dB	-	0.70	1.00
Group Delay Variation	nsec	-	40	80
Absolute Delay	usec	2.20	2.50	-
Ultimate Rejection	dB	30	45	-
Ambient Temperature	°C	-	25	-
Temperature Variation	ppm/°C	-	-94	-
Operating Temperature	°C	-10	25	+60
Storage Temperature	°C	-25	25	+70

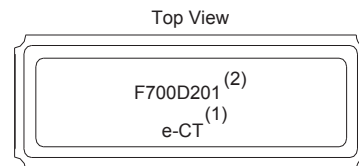
Package Outline



Matching Configuration



Marking Configuration



(1) Manufacture's Mark
(2) Model Name

SMD 13.3 BY 6.5 SMD PACKAGE