



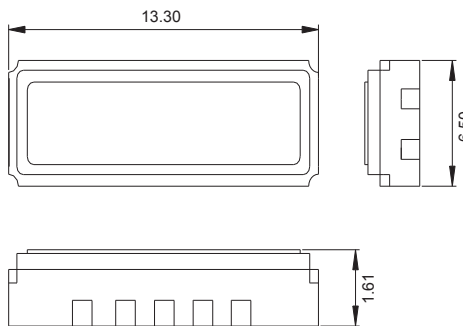
70 MHz Bandpass Filter
9.80 MHz Bandwidth

Part Number **503312B**

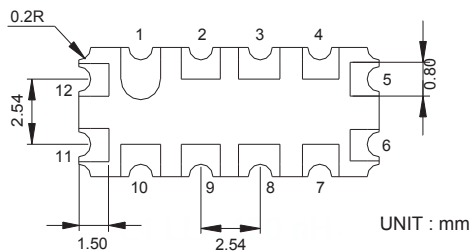
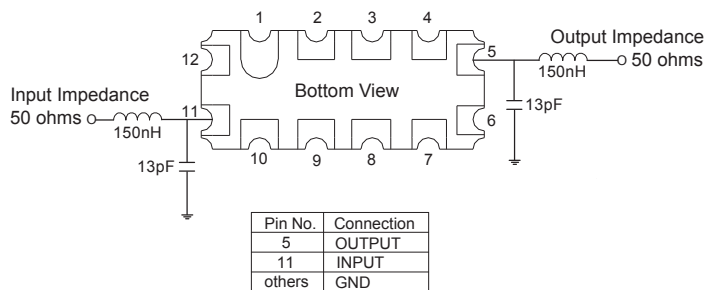
Parameter	Unit	Electrical Specifications		
		Minimum	Typical	Maximum
Center Frequency	MHz	69.91	70.00	70.09
Insertion Loss	dB	-	22.6	25.0
3dB Bandwidth	MHz	9.80	9.86	-
40dB Bandwidth	MHz	-	12.20	13.00
Passband Ripple	dB	-	0.50	1.00
Group Delay Variation	nsec	-	50	100
Absolute Delay	usec	-	2.07	-
Ultimate Rejection	dB	40	45	-

Maximum Rating				
Maximum Input Power	dBm	-	-	10
Maximum DC Voltage	V	-	-	15
Operating Temperature	°C	-10	25	+60
Storage Temperature	°C	-25	25	+70

Package Outline

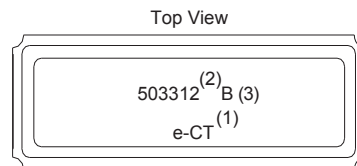


Matching Configuration



SMD 13.3 BY 6.5 SMD PACKAGE

Marking Configuration



Marking

- (1) Manufacture's Mark
- (2) Model Name
- (3) Revision

sales@solutechcorp.com