

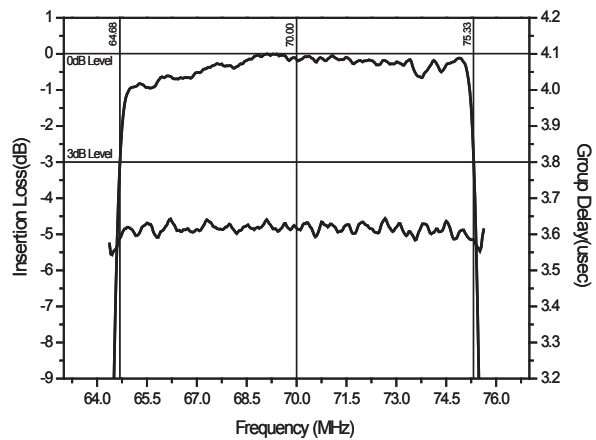
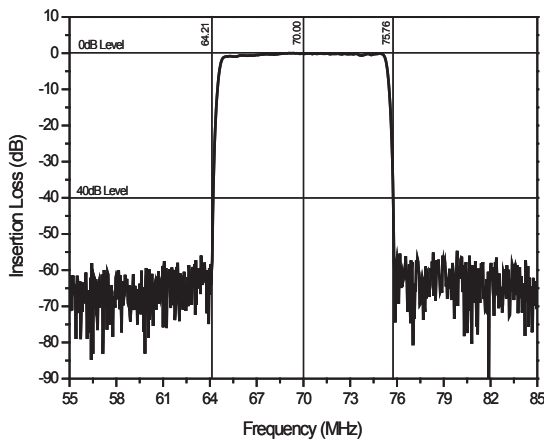


70 MHz Bandpass Filter
10.50 MHz Bandwidth

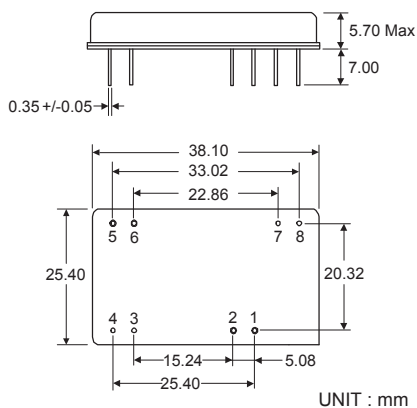
Part Number **503308B**

| Parameter | Unit | Electrical Specifications | | |
|---|------|---------------------------|---------|---------|
| | | Minimum | Typical | Maximum |
| Center Frequency | MHz | 69.96 | 70.00 | 70.04 |
| Insertion Loss | dB | - | 26.0 | 27.5 |
| 1dB Bandwidth | MHz | - | 10.34 | - |
| 3dB Bandwidth | MHz | 10.50 | 10.65 | - |
| 40dB Bandwidth | MHz | - | 11.54 | 11.65 |
| Amplitude Ripple _(90% for BW3) | dB | - | 1.00 | 1.30 |
| Group Delay Variation | nsec | - | 100 | 150 |
| Absolute Delay | usec | - | 3.63 | - |
| Ultimate Rejection | dB | 50 | 55 | - |

Frequency Response

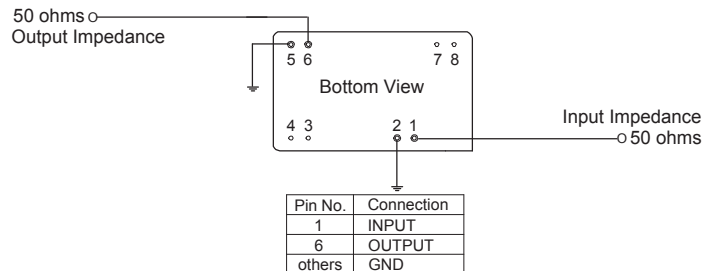


Package Outline



DIP 3825 Version of 8-Pin Dip Package

Matching Configuration



Marking Configuration

