



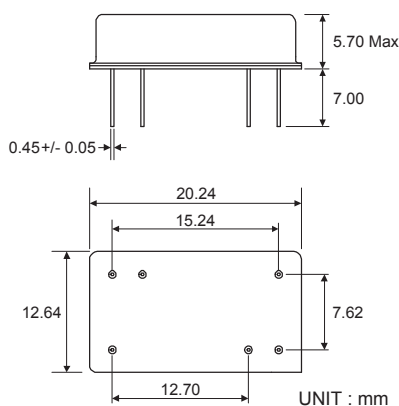
60 MHz Bandpass Filter
11.80 MHz Bandwidth

Part Number **503211B**

Parameter	Unit	Electrical Specifications		
		Minimum	Typical	Maximum
Center Frequency	MHz	59.94	60.00	60.06
Insertion Loss	dB	-	22.0	24.0
3dB Bandwidth	MHz	11.80	12.00	-
40dB Bandwidth	MHz	-	13.40	13.50
Passband Ripple	dB	-	0.70	1.00
Group Delay Variation	nsec	-	50	100
Absolute Delay	usec	-	2.63	-
Ultimate Rejection	dB	45	50	-

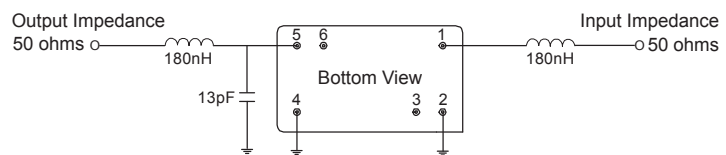
Maximum Rating				
Maximum Input Power	dBm	-	-	10
Maximum DC Voltage	V	-	-	15
Operating Temperature	°C	-10	25	+60
Storage Temperature	°C	-25	25	+70

Package Outline



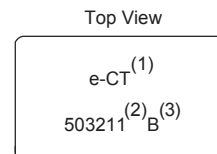
DIP 2012 Version of 6-Pin Dip Package

Matching Configuration



Pin No.	Connection
1	INPUT
5	OUTPUT
others	GND

Marking Configuration



Marking

- (1) Manufacture's Mark
- (2) Model Name
- (3) Revision