

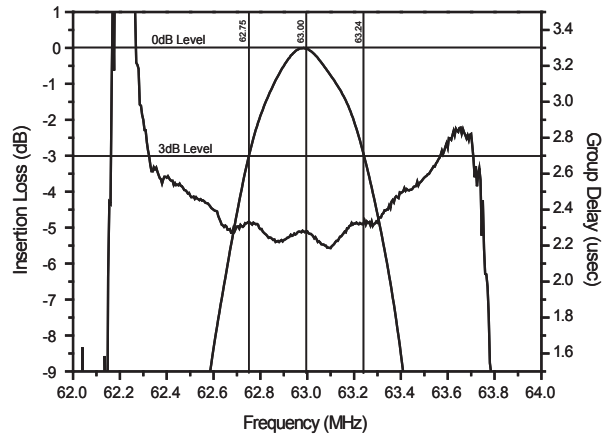
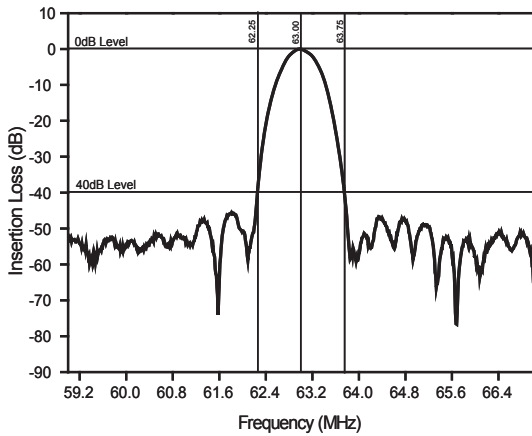


63 MHz Bandpass Filter
0.40 MHz Bandwidth

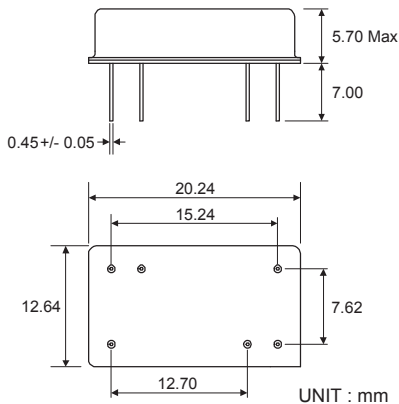
Part Number **503207B**

Parameter	Unit	Electrical Specifications		
		Minimum	Typical	Maximum
Center Frequency	MHz	62.96	63.00	63.04
Insertion Loss	dB	-	13.0	15.0
1dB Bandwidth	MHz	-	0.27	-
3dB Bandwidth	MHz	0.40	0.49	-
40dB Bandwidth	MHz	-	1.50	1.60
Passband Ripple	dB	-	0.30	0.60
Group Delay Variation	nsec	-	100	250
Absolute Delay	usec	-	2.25	-
Ultimate Rejection	dB	45	50	-

Frequency Response

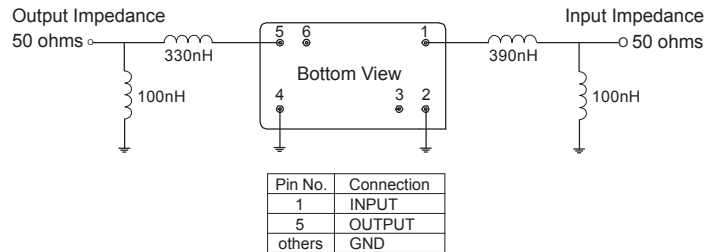


Package Outline



DIP 2012 Version of 6-Pin Dip Package

Matching Configuration



Marking Configuration

