



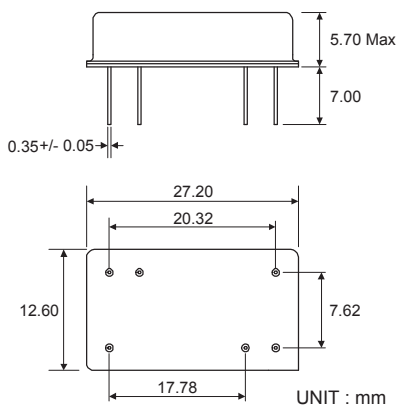
44 MHz Bandpass Filter  
6.00 MHz Bandwidth

Part Number **503105B**

Parameter	Unit	Electrical Specifications		
		Minimum	Typical	Maximum
Center Frequency	MHz	43.96	44.00	44.04
Insertion Loss	dB	-	22.8	24.0
3dB Bandwidth	MHz	6.00	6.06	-
40dB Bandwidth	MHz	-	7.52	7.65
Passband Ripple	dB	-	0.60	1.00
Group Delay Variation	nsec	-	48	100
Absolute Delay	usec	-	2.72	-
Ultimate Rejection	dB	50	55	-

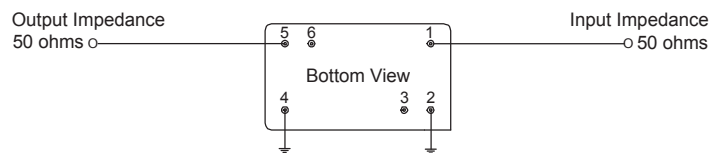
Maximum Rating				
Maximum Input Power	dBm	-	-	10
Maximum DC Voltage	V	-	-	15
Operating Temperature	°C	-10	25	+60
Storage Temperature	°C	-25	25	+70

Package Outline



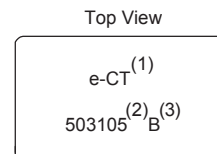
DIP 2712 Version of 6-Pin Dip Package

Matching Configuration



Pin No.	Connection
1	INPUT
5	OUTPUT
others	GND

Marking Configuration



Marking

- (1) Manufacture's Mark
- (2) Model Name
- (3) Revision

sales@solutechcorp.com