



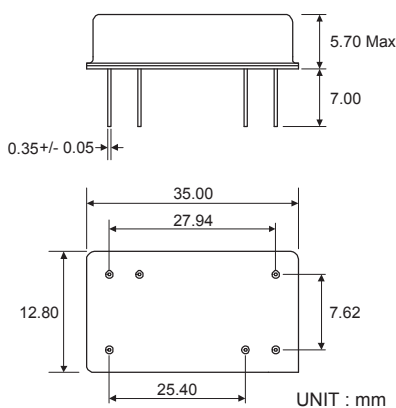
44 MHz Bandpass Filter
5.65 MHz Bandwidth

Part Number 503104B

Parameter	Unit	Electrical Specifications		
		Minimum	Typical	Maximum
Center Frequency	MHz	43.94	44.00	44.06
Insertion Loss	dB	-	22.5	24.0
3dB Bandwidth	MHz	5.65	5.71	-
40dB Bandwidth	MHz	-	6.58	6.70
Passband Ripple	dB	-	0.80	1.00
Group Delay Variation	nsec	-	70	150
Absolute Delay	usec	-	3.84	-
Ultimate Rejection	dB	45	50	-

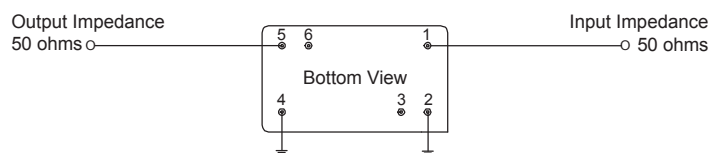
Maximum Rating				
Maximum Input Power	dBm	-	-	10
Maximum DC Voltage	V	-	-	15
Operating Temperature	°C	-10	25	+60
Storage Temperature	°C	-25	25	+70

Package Outline



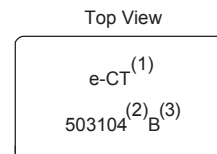
DIP 3512 Version of 6-Pin Dip Package

Matching Configuration



Pin No.	Connection
1	INPUT
5	OUTPUT
others	GND

Marking Configuration



Marking

- (1) Manufacture's Mark
- (2) Model Name
- (3) Revision