



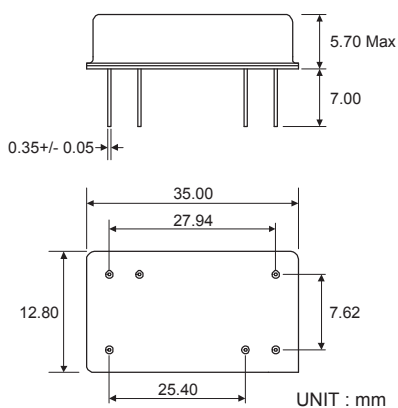
**59.3 MHz Bandpass Filter**  
**11.10 MHz Bandwidth**

Part Number **503103B**

| Parameter             | Unit | Electrical Specifications |         |         |
|-----------------------|------|---------------------------|---------|---------|
|                       |      | Minimum                   | Typical | Maximum |
| Center Frequency      | MHz  | 59.26                     | 59.30   | 59.34   |
| Insertion Loss        | dB   | -                         | 24.3    | 25.5    |
| 3dB Bandwidth         | MHz  | 11.10                     | 11.28   | -       |
| 40dB Bandwidth        | MHz  | -                         | 12.50   | 13.50   |
| Passband Ripple       | dB   | -                         | 1.50    | 2.00    |
| Group Delay Variation | nsec | -                         | 61.80   | 100     |
| Absolute Delay        | usec | -                         | 2.90    | -       |
| Ultimate Rejection    | dB   | 50                        | 55      | -       |

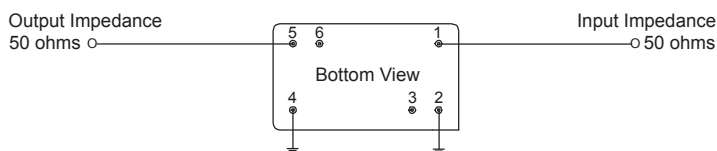
| Maximum Rating        |     |     |    |     |
|-----------------------|-----|-----|----|-----|
| Maximum Input Power   | dBm | -   | -  | 10  |
| Maximum DC Voltage    | V   | -   | -  | 15  |
| Operating Temperature | °C  | -10 | 25 | +60 |
| Storage Temperature   | °C  | -25 | 25 | +70 |

**Package Outline**



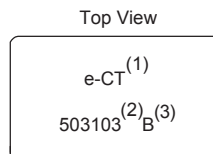
DIP 3512 Version of 6-Pin Dip Package

**Matching Configuration**



| Pin No. | Connection |
|---------|------------|
| 1       | INPUT      |
| 5       | OUTPUT     |
| others  | GND        |

**Marking Configuration**



Marking

- (1) Manufacture's Mark
- (2) Model Name
- (3) Revision