



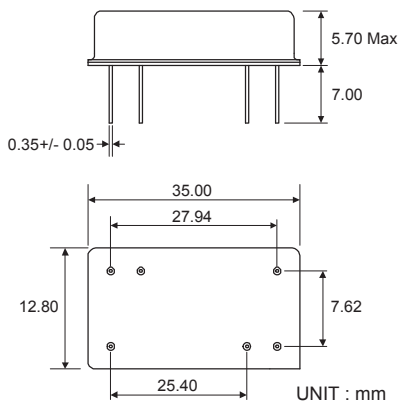
70 MHz Bandpass Filter  
2.50 MHz Bandwidth

Part Number **502165B**

Parameter	Unit	Electrical Specifications		
		Minimum	Typical	Maximum
Center Frequency	MHz	69.95	70.00	70.05
Insertion Loss	dB	-	23.5	25.0
1dB Bandwidth	MHz	-	2.43	-
3dB Bandwidth	MHz	2.50	2.77	-
40dB Bandwidth	MHz	-	3.83	3.95
Amplitude Ripple ( $\pm 1.1\text{MHz}$ )	dB	-	0.76	1.10
Group Delay Variation	nsec	-	70	150
Absolute Delay	usec	-	4.09	-
Ultimate Rejection	dB	45	48	-

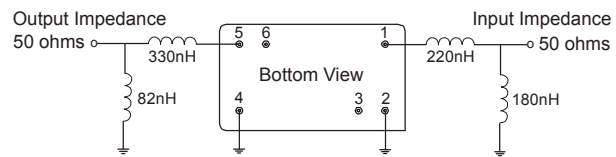
Maximum Rating				
Maximum Input Power	dBm	-	-	10
Maximum DC Voltage	V	-	-	15
Operating Temperature	°C	-10	25	+60
Storage Temperature	°C	-25	25	+70

Package Outline



DIP 3512 Version of 6-Pin Dip Package

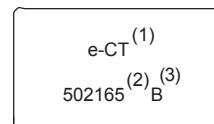
Matching Configuration



Pin No.	Connection
1	INPUT
5	OUTPUT
others	GND

Marking Configuration

Top View



Marking

- (1) Manufacture's Mark
- (2) Model Name
- (3) Revision