



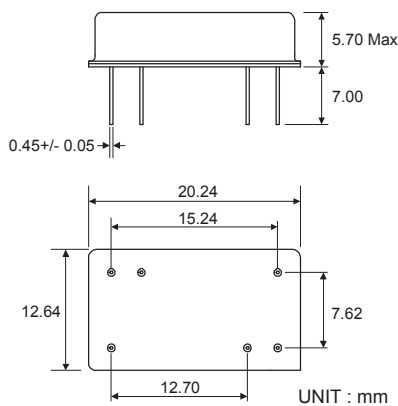
70 MHz Bandpass Filter
12.00 MHz Bandwidth

Part Number **502156B**

| Parameter | Unit | Electrical Specifications | | |
|-----------------------|------|---------------------------|---------|---------|
| | | Minimum | Typical | Maximum |
| Center Frequency | MHz | 69.94 | 70.00 | 70.06 |
| Insertion Loss | dB | - | 22.5 | 25.0 |
| 3dB Bandwidth | MHz | 12.00 | 12.30 | - |
| 40dB Bandwidth | MHz | - | 13.60 | 14.00 |
| Passband Ripple | dB | - | 0.60 | 1.00 |
| Group Delay Variation | nsec | - | 50 | 100 |
| Absolute Delay | usec | - | 2.74 | - |
| Ultimate Rejection | dB | 48 | 53 | - |

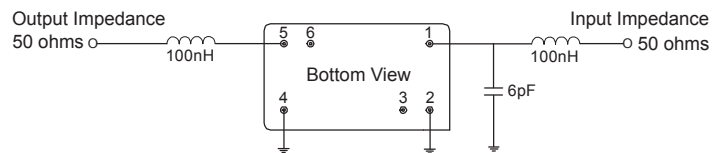
| Maximum Rating | | | | |
|-----------------------|-----|-----|----|-----|
| Maximum Input Power | dBm | - | - | 10 |
| Maximum DC Voltage | V | - | - | 15 |
| Operating Temperature | °C | -10 | 25 | +60 |
| Storage Temperature | °C | -25 | 25 | +70 |

Package Outline



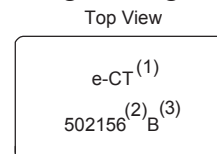
DIP 2012 Version of 6-Pin Dip Package

Matching Configuration



| Pin No. | Connection |
|---------|------------|
| 1 | INPUT |
| 5 | OUTPUT |
| others | GND |

Marking Configuration



Marking

- (1) Manufacture's Mark
- (2) Model Name
- (3) Revision

sales@solutechcorp.com