



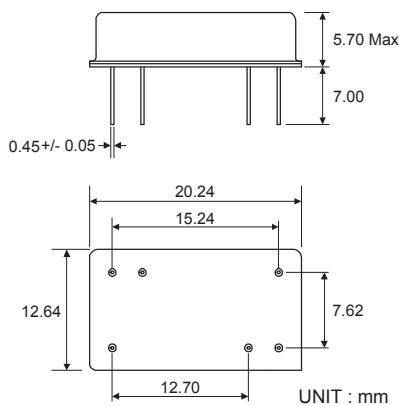
70 MHz Bandpass Filter  
11.00 MHz Bandwidth

Part Number **502153B**

| Parameter             | Unit | Electrical Specifications |         |         |
|-----------------------|------|---------------------------|---------|---------|
|                       |      | Minimum                   | Typical | Maximum |
| Center Frequency      | MHz  | 69.94                     | 70.00   | 70.06   |
| Insertion Loss        | dB   | -                         | 24.4    | 26.0    |
| 3dB Bandwidth         | MHz  | 11.00                     | 11.88   | -       |
| 40dB Bandwidth        | MHz  | -                         | 13.00   | 13.24   |
| Passband Ripple       | dB   | -                         | 0.50    | 1.00    |
| Group Delay Variation | nsec | -                         | 50      | 100     |
| Absolute Delay        | usec | -                         | 2.72    | -       |
| Ultimate Rejection    | dB   | 45                        | 50      | -       |

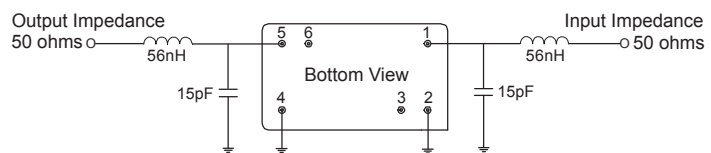
| Maximum Rating        |     |     |    |     |
|-----------------------|-----|-----|----|-----|
| Maximum Input Power   | dBm | -   | -  | 10  |
| Maximum DC Voltage    | V   | -   | -  | 15  |
| Operating Temperature | °C  | -10 | 25 | +60 |
| Storage Temperature   | °C  | -25 | 25 | +70 |

Package Outline



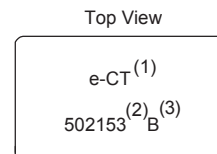
DIP 2012 Version of 6-Pin Dip Package

Matching Configuration



| Pin No. | Connection |
|---------|------------|
| 1       | INPUT      |
| 5       | OUTPUT     |
| others  | GND        |

Marking Configuration



Marking

- (1) Manufacture's Mark
- (2) Model Name
- (3) Revision

[sales@solutechcorp.com](mailto:sales@solutechcorp.com)