

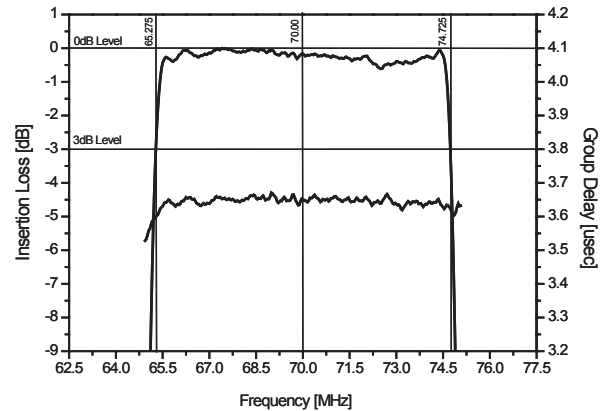
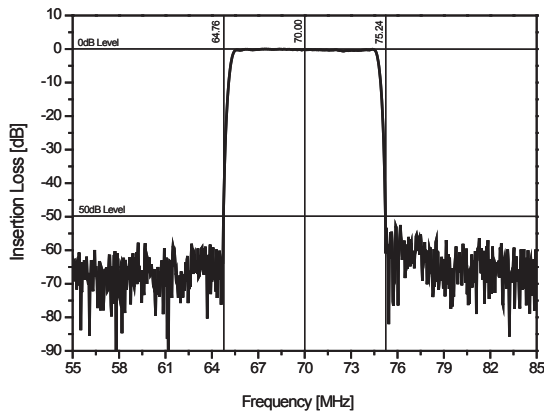


70 MHz Bandpass Filter
9.40 MHz Bandwidth

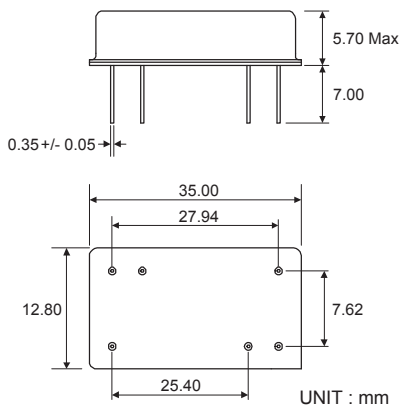
Part Number **502140B**

Parameter	Unit	Electrical Specifications		
		Minimum	Typical	Maximum
Center Frequency	MHz	69.96	70.00	70.04
Insertion Loss	dB	-	24.4	25.5
1dB Bandwidth	MHz	-	9.232	-
3dB Bandwidth	MHz	9.40	9.45	-
40dB Bandwidth	MHz	-	10.40	-
50dB Bandwidth	MHz	-	10.48	10.60
Amplitude Ripple (p-p)	dB	-	0.70	0.90
Group Delay Variation	nsec	-	100	150
Absolute Delay	usec	-	3.64	-
Ultimate Rejection	dB	50	55	-

Frequency Response

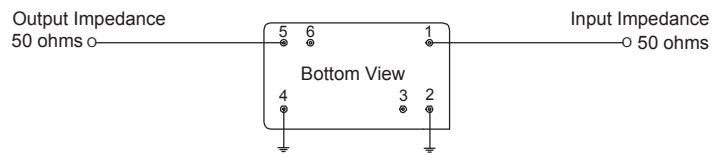


Package Outline



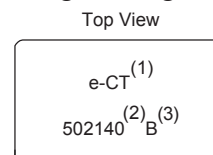
DIP 3512 Version of 6-Pin Dip Package

Matching Configuration



Pin No.	Connection
1	INPUT
5	OUTPUT
others	GND

Marking Configuration



- Marking
- (1) Manufacturer's Mark
 - (2) Model Name
 - (3) Revision