



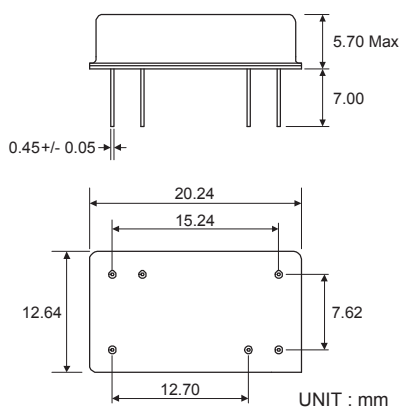
70 MHz Bandpass Filter
9.40 MHz Bandwidth

Part Number **502138B**

		Electrical Specifications		
Parameter	Unit	Minimum	Typical	Maximum
Center Frequency	MHz	69.96	70.00	70.04
Insertion Loss	dB	-	20.4	21.5
3dB Bandwidth	MHz	9.40	9.48	-
40dB Bandwidth	MHz	-	10.77	11.00
Passband Ripple	dB	-	0.57	0.75
Group Delay Variation	nsec	-	110	150
Absolute Delay	usec	-	2.75	-
Ultimate Rejection	dB	50	55	-

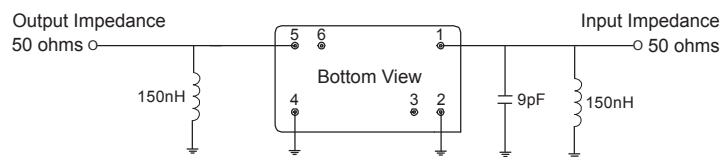
Maximum Rating				
Maximum Input Power	dBm	-	-	10
Maximum DC Voltage	V	-	-	15
Operating Temperature	°C	-10	25	+60
Storage Temperature	°C	-25	25	+70

Package Outline



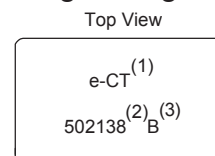
DIP 2012 Version of 6-Pin Dip Package

Matching Configuration



Pin No.	Connection
1	INPUT
5	OUTPUT
others	GND

Marking Configuration



Marking

- (1) Manufacture's Mark
- (2) Model Name
- (3) Revision

sales@solutechcorp.com