

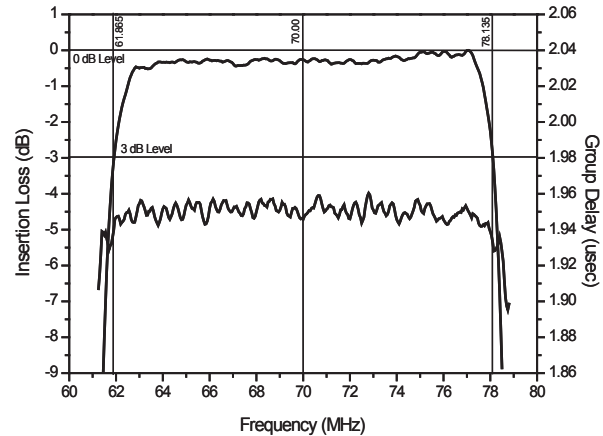
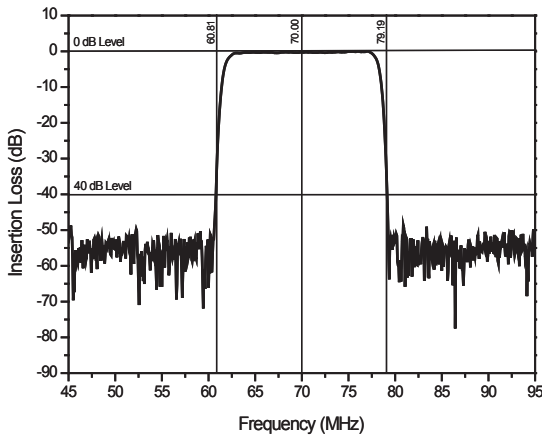


70 MHz Bandpass Filter  
16.00 MHz Bandwidth

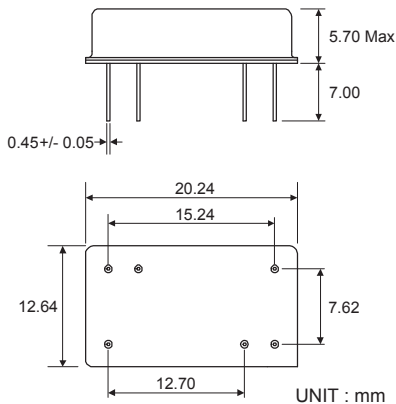
Part Number **501148B**

Parameter	Unit	Electrical Specifications		
		Minimum	Typical	Maximum
Center Frequency	MHz	69.90	70.00	70.10
Insertion Loss	dB	-	26.7	28.0
1dB Bandwidth	MHz	-	15.14	-
3dB Bandwidth	MHz	16.00	16.27	-
40dB Bandwidth	MHz	-	18.38	19.50
Amplitude Ripple (p-p)	dB	-	0.55	0.80
Group Delay Variation	nsec	-	20	70
Absolute Delay	usec	-	1.95	-
Ultimate Rejection	dB	50	55	-

Frequency Response

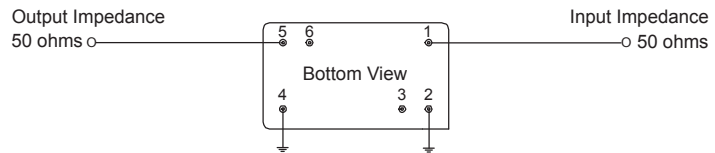


Package Outline



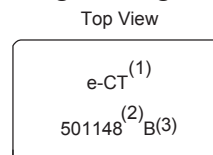
DIP 2012 Version of 6-Pin Dip Package

Matching Configuration



Pin No.	Connection
1	INPUT
5	OUTPUT
others	GND

Marking Configuration



- Marking
- (1) Manufacturer's Mark
  - (2) Model Name
  - (3) Revision

sales@solutechcorp.com