

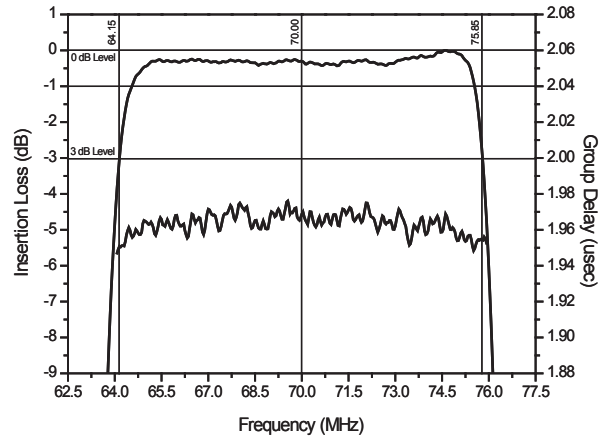
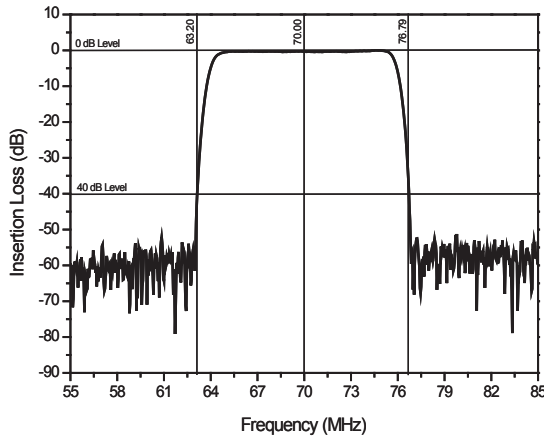


70 MHz Bandpass Filter  
11.00 MHz Bandwidth

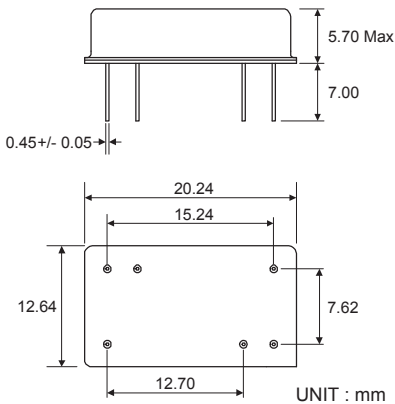
Part Number **501143B**

Parameter	Unit	Electrical Specifications		
		Minimum	Typical	Maximum
Center Frequency	MHz	69.90	70.00	70.10
Insertion Loss	dB	-	22.2	24.0
1dB Bandwidth	MHz	-	11.00	-
3dB Bandwidth	MHz	11.00	11.70	-
40dB Bandwidth	MHz	-	13.58	14.00
Amplitude Ripple (p-p)	dB	-	0.40	0.70
Group Delay Variation	nsec	-	25	70
Absolute Delay	usec	-	1.97	-
Ultimate Rejection	dB	50	55	-

Frequency Response

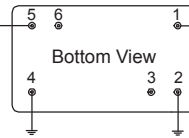
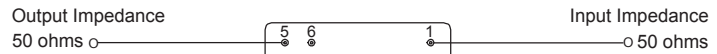


Package Outline



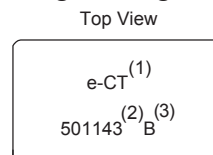
DIP 2012 Version of 6-Pin Dip Package

Matching Configuration



Pin No.	Connection
1	INPUT
5	OUTPUT
others	GND

Marking Configuration



- Marking  
 (1) Manufacturer's Mark  
 (2) Model Name  
 (3) Revision

sales@solutechcorp.com