

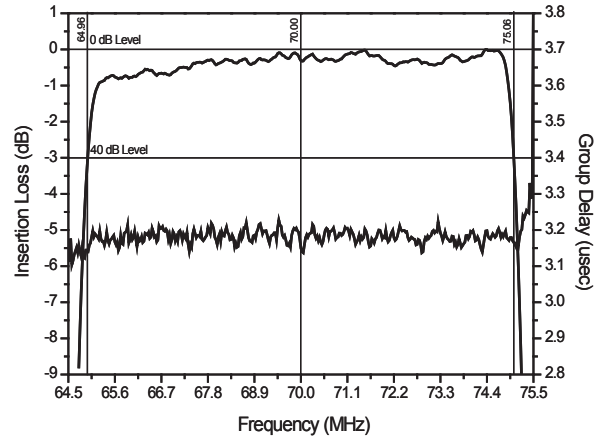
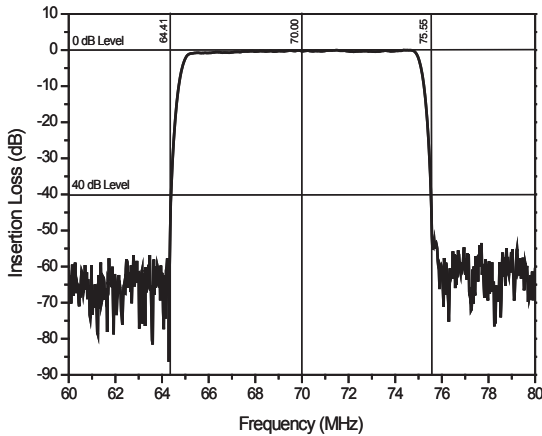


70 MHz Bandpass Filter
10.00 MHz Bandwidth

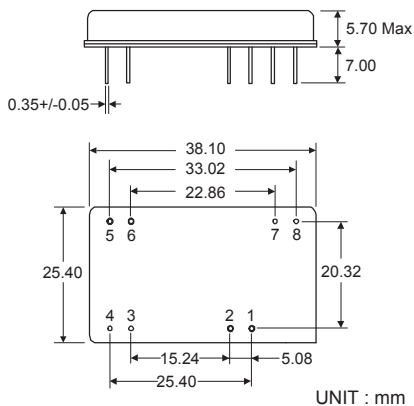
Part Number **501142B**

Parameter	Unit	Electrical Specifications		
		Minimum	Typical	Maximum
Center Frequency	MHz	69.91	70.00	70.09
Insertion Loss	dB	-	25.5	27.0
1dB Bandwidth	MHz	-	9.80	-
3dB Bandwidth	MHz	10.00	10.10	-
40dB Bandwidth	MHz	-	11.13	11.25
Amplitude Ripple (p-p)	dB	-	1.00	1.30
Group Delay Variation	nsec	-	80	130
Absolute Delay	usec	-	3.15	-
Ultimate Rejection	dB	50	55	-

Frequency Response

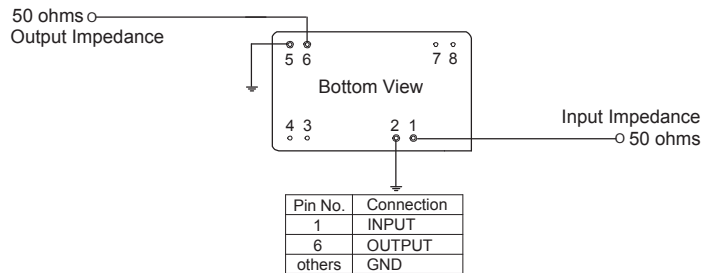


Package Outline



DIP 3825 Version of 8-Pin Dip Package

Matching Configuration



Marking Configuration

