



70 MHz Bandpass Filter

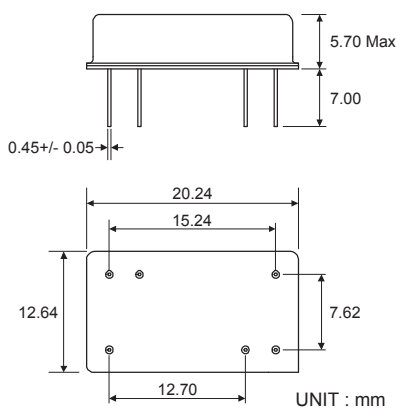
9.60 MHz Bandwidth

Part Number 501140B

| Parameter | Unit | Electrical Specifications | | |
|-----------------------|------|---------------------------|---------|---------|
| | | Minimum | Typical | Maximum |
| Center Frequency | MHz | 69.95 | 70.00 | 70.05 |
| Insertion Loss | dB | - | 25.0 | 26.0 |
| 3dB Bandwidth | MHz | 9.60 | 9.65 | 9.70 |
| 40dB Bandwidth | MHz | - | 11.10 | - |
| Amplitude Ripple | dB | - | 0.80 | 1.30 |
| Group Delay Variation | nsec | - | 150 | 200 |
| Absolute Delay | usec | - | 2.61 | - |
| Ultimate Rejection | dB | 50 | 55 | - |

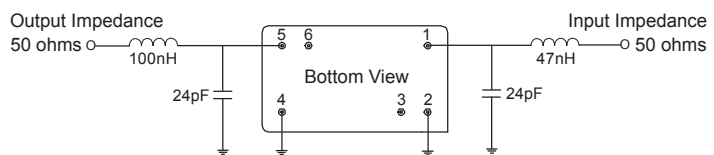
| Maximum Rating | | | | |
|-----------------------|-----|-----|----|-----|
| Maximum Input Power | dBm | - | - | 10 |
| Maximum DC Voltage | V | - | - | 15 |
| Operating Temperature | °C | -10 | 25 | +60 |
| Storage Temperature | °C | -25 | 25 | +70 |

Package Outline



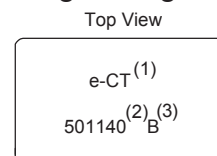
DIP 2012 Version of 6-Pin Dip Package

Matching Configuration



| Pin No. | Connection |
|---------|------------|
| 1 | INPUT |
| 5 | OUTPUT |
| others | GND |

Marking Configuration



Marking

- (1) Manufacture's Mark
- (2) Model Name
- (3) Revision