

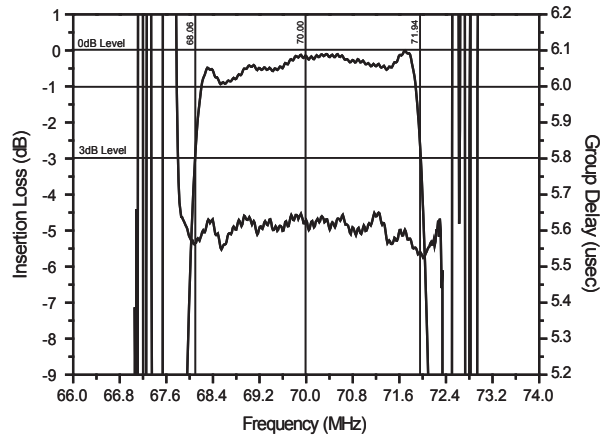
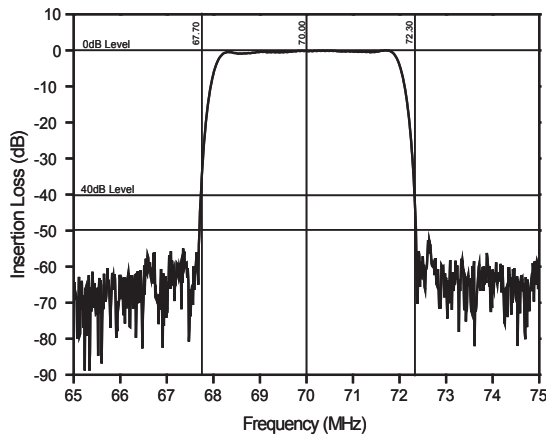


70 MHz Bandpass Filter
3.69 MHz Bandwidth

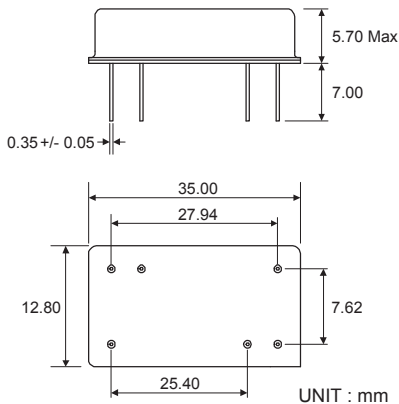
Part Number **501113B**

Parameter	Unit	Electrical Specifications		
		Minimum	Typical	Maximum
Center Frequency	MHz	69.92	70.00	70.08
Insertion Loss	dB	-	21.9	25.0
1dB Bandwidth	MHz	-	3.69	-
3dB Bandwidth	MHz	3.69	3.88	-
40dB Bandwidth	MHz	-	4.59	4.65
Amplitude Ripple	dB	-	1.00	1.30
Group Delay Variation	nsec	-	200	250
Absolute Delay	usec	-	5.60	-
Ultimate Rejection	dB	50	55	-

Frequency Response

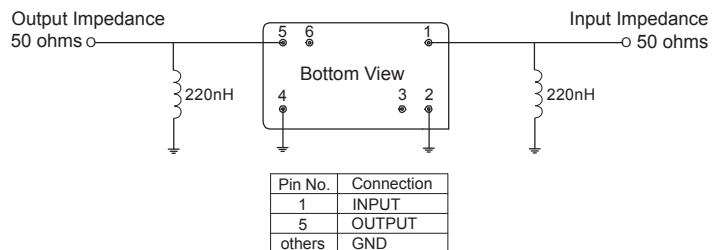


Package Outline



DIP 3512 Version of 6-Pin Dip Package

Matching Configuration



Marking Configuration

