

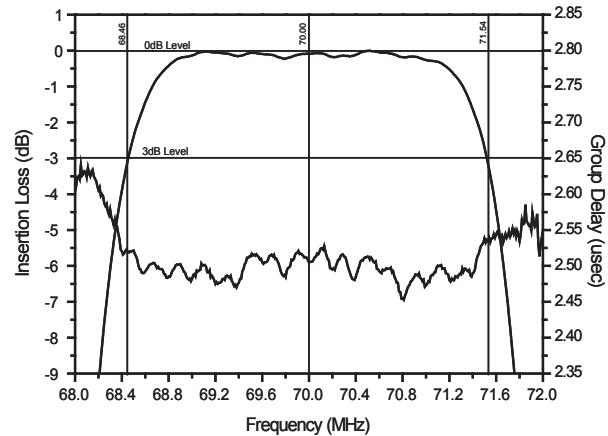
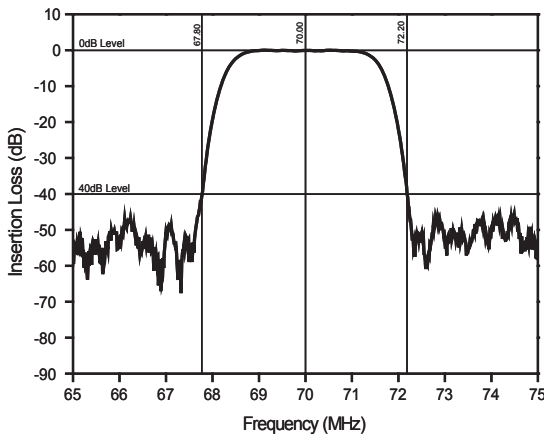


70 MHz Bandpass Filter
3.00 MHz Bandwidth

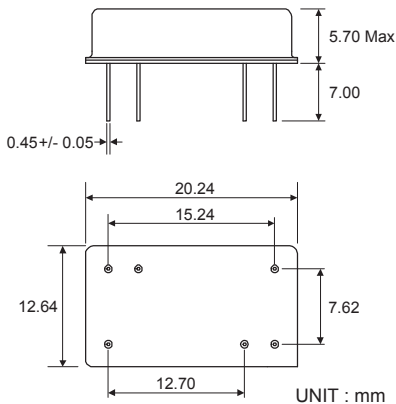
Part Number **501106B**

Parameter	Unit	Electrical Specifications		
		Minimum	Typical	Maximum
Center Frequency	MHz	69.94	70.00	70.06
Insertion Loss	dB	-	23.8	25.0
1dB Bandwidth	MHz	-	2.72	-
3dB Bandwidth	MHz	3.00	3.08	-
40dB Bandwidth	MHz	-	4.40	4.50
Amplitude Ripple (± 1.1 MHz)	dB	-	0.80	1.00
Group Delay Variation	nsec	-	100	200
Absolute Delay	usec	-	2.49	-
Ultimate Rejection	dB	40	45	-

Frequency Response

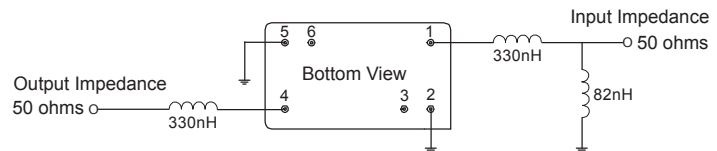


Package Outline



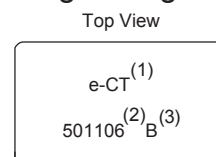
DIP 2012 Version of 6-Pin Dip Package

Matching Configuration



Pin No.	Connection
1	INPUT
4	OUTPUT
others	GND

Marking Configuration



- Marking
- (1) Manufacturer's Mark
 - (2) Model Name
 - (3) Revision

sales@solutechcorp.com