

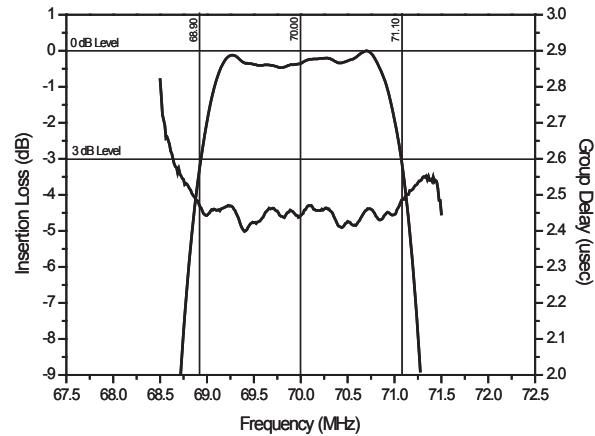
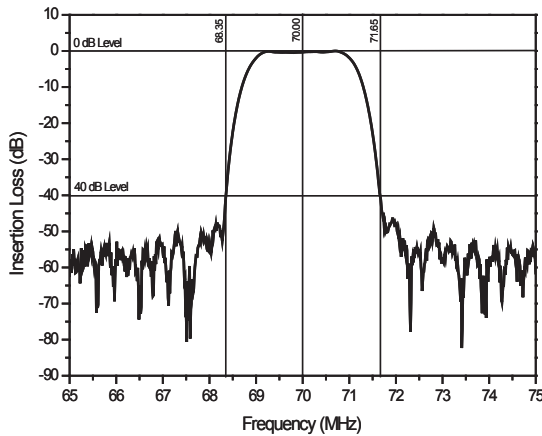


70 MHz Bandpass Filter
2.00 MHz Bandwidth

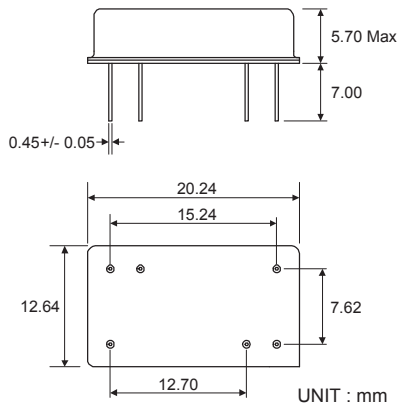
Part Number **501096B**

Parameter	Unit	Electrical Specifications		
		Minimum	Typical	Maximum
Center Frequency	MHz	69.96	70.00	70.04
Insertion Loss	dB	-	18.6	20.0
1dB Bandwidth	MHz	-	1.92	-
3dB Bandwidth	MHz	2.00	2.20	-
40dB Bandwidth	MHz	-	3.30	3.45
Amplitude Ripple (p-p)	dB	-	0.50	0.75
Group Delay Variation	nsec	-	150	250
Absolute Delay	usec	-	2.45	-
Ultimate Rejection	dB	50	55	-

Frequency Response

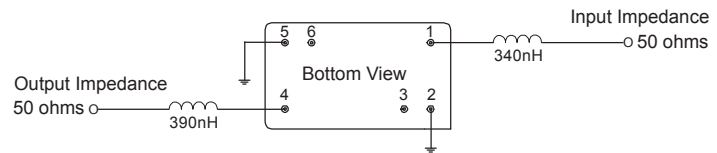


Package Outline



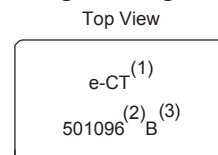
DIP 2012 Version of 6-Pin Dip Package

Matching Configuration



Pin No.	Connection
1	INPUT
4	OUTPUT
others	GND

Marking Configuration



Marking
(1) Manufacturer's Mark
(2) Model Name
(3) Revision

sales@solutechcorp.com