

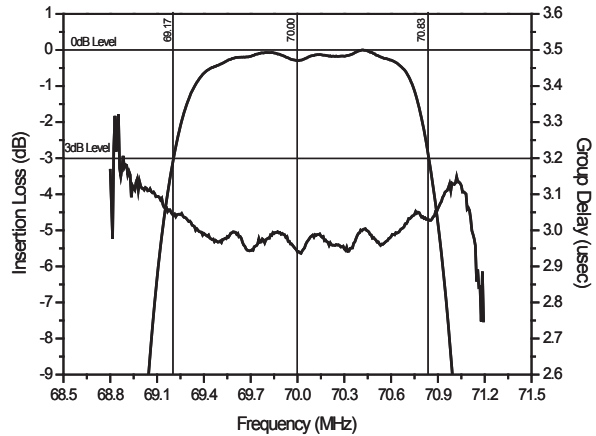
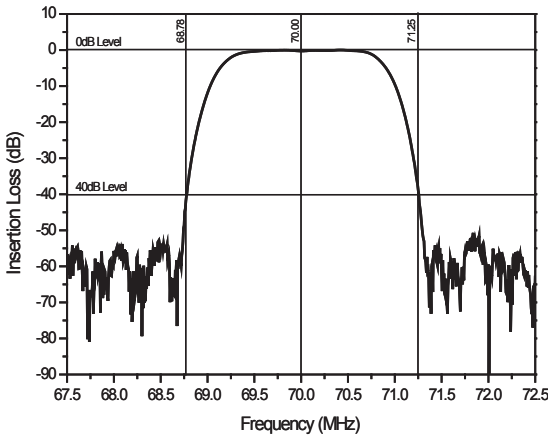


70 MHz Bandpass Filter
1.50 MHz Bandwidth

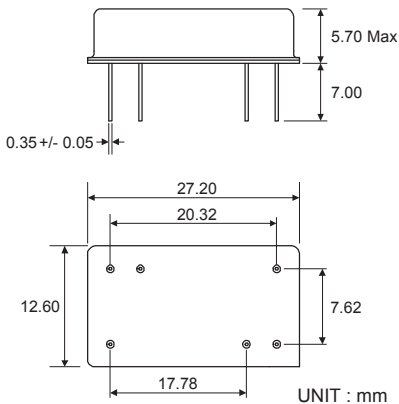
Part Number **501091C**

| Parameter | Unit | Electrical Specifications | | |
|------------------------|------|---------------------------|---------|---------|
| | | Minimum | Typical | Maximum |
| Center Frequency | MHz | 69.96 | 70.00 | 70.04 |
| Insertion Loss | dB | - | 23.0 | 25.0 |
| 1dB Bandwidth | MHz | - | 1.45 | - |
| 3dB Bandwidth | MHz | 1.50 | 1.66 | - |
| 40dB Bandwidth | MHz | - | 2.48 | 2.60 |
| Amplitude Ripple (p-p) | dB | - | 0.30 | 0.80 |
| Group Delay Variation | nsec | - | 80 | 150 |
| Absolute Delay | usec | - | 2.98 | - |
| Ultimate Rejection | dB | 48 | 52 | - |

Frequency Response



Package Outline



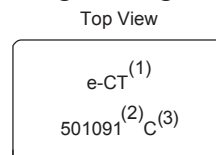
DIP 2712 Version of 6-Pin Dip Package

Matching Configuration



| Pin No. | Connection |
|---------|------------|
| 1 | INPUT |
| 5 | OUTPUT |
| others | GND |

Marking Configuration



- Marking
 (1) Manufacturer's Mark
 (2) Model Name
 (3) Revision

sales@solutechcorp.com