

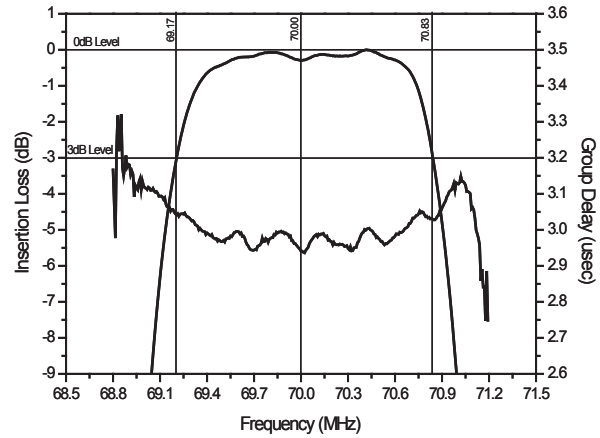
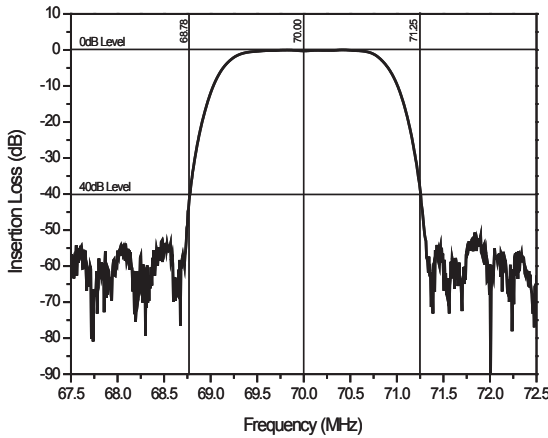


70 MHz Bandpass Filter  
1.50 MHz Bandwidth

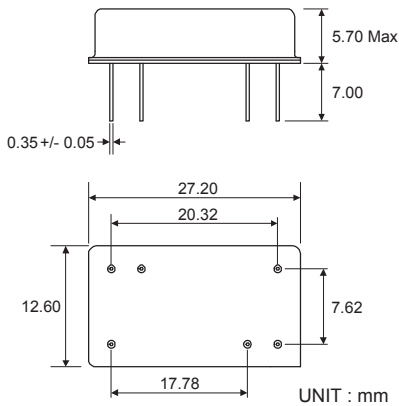
Part Number **501091B**

Parameter	Unit	Electrical Specifications		
		Minimum	Typical	Maximum
Center Frequency	MHz	69.96	70.00	70.04
Insertion Loss	dB	-	23.68	25.0
1dB Bandwidth	MHz	-	1.40	-
3dB Bandwidth	MHz	1.50	1.66	-
40dB Bandwidth	MHz	-	2.48	2.60
Amplitude Ripple (p-p)	dB	-	0.30	0.80
Group Delay Variation	nsec	-	80	150
Absolute Delay	usec	-	2.98	-
Ultimate Rejection	dB	50	55	-

Frequency Response

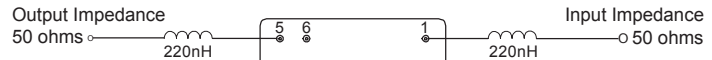


Package Outline



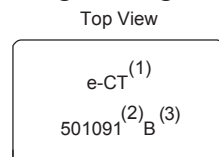
DIP 2712 Version of 6-Pin Dip Package

Matching Configuration



Pin No.	Connection
1	INPUT
5	OUTPUT
others	GND

Marking Configuration



- Marking
- (1) Manufacturer's Mark
  - (2) Model Name
  - (3) Revision