

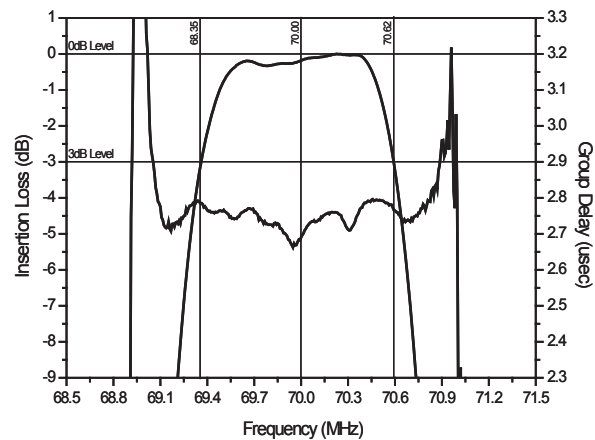
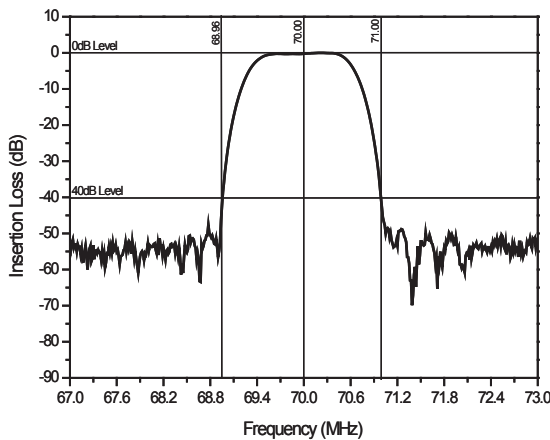


70 MHz Bandpass Filter
1.23 MHz Bandwidth

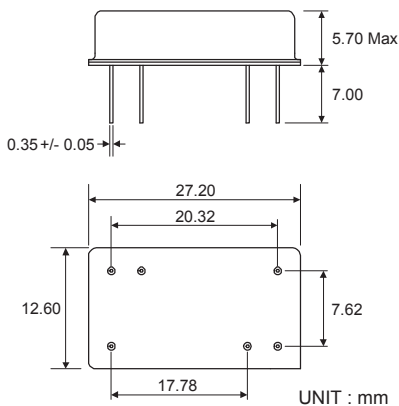
Part Number **501089B**

Parameter	Unit	Electrical Specifications		
		Minimum	Typical	Maximum
Center Frequency	MHz	69.95	70.00	70.05
Insertion Loss	dB	-	21.8	24.0
1dB Bandwidth	MHz	-	1.07	-
3dB Bandwidth	MHz	1.23	1.26	-
40dB Bandwidth	MHz	-	2.05	2.30
Passband Ripple	dB	-	0.40	1.00
Group Delay Variation	nsec	-	150	250
Absolute Delay	usec	-	2.61	-
Ultimate Rejection	dB	48	50	-

Frequency Response

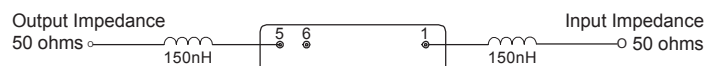


Package Outline



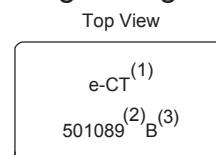
DIP 2712 Version of 6-Pin Dip Package

Matching Configuration



Pin No.	Connection
1	INPUT
5	OUTPUT
others	GND

Marking Configuration



- Marking
- (1) Manufacturer's Mark
 - (2) Model Name
 - (3) Revision