



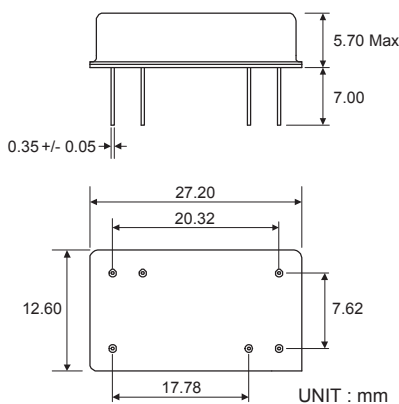
70 MHz Bandpass Filter
0.25 MHz Bandwidth

Part Number **501071C**

Parameter	Unit	Electrical Specifications		
		Minimum	Typical	Maximum
Center Frequency	MHz	-	70.00	-
Insertion Loss	dB	-	-	12.0
3dB Bandwidth	MHz	0.25	-	-
40dB Bandwidth	MHz	-	-	1.20
Passband Ripple	dB	-	-	0.60
Group Delay Variation	nsec	-	-	300
Absolute Delay	usec	-	3.05	-
Ultimate Rejection	dB	50	-	-

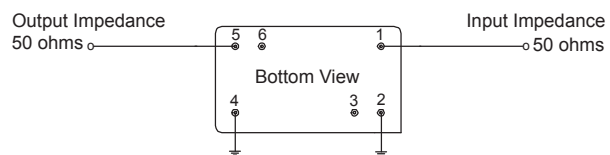
Maximum Rating				
Maximum Input Power	dBm	-	-	10
Maximum DC Voltage	V	-	-	15
Operating Temperature	°C	-10	25	+60
Storage Temperature	°C	-25	25	+70

Package Outline



DIP 2712 Version of 6-Pin Dip Package

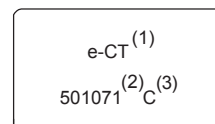
Matching Configuration



Pin No.	Connection
1	INPUT
5	OUTPUT
others	GND

Marking Configuration

Top View



Marking

- (1) Manufacture's Mark
- (2) Model Name
- (3) Revision

sales@solutechcorp.com